

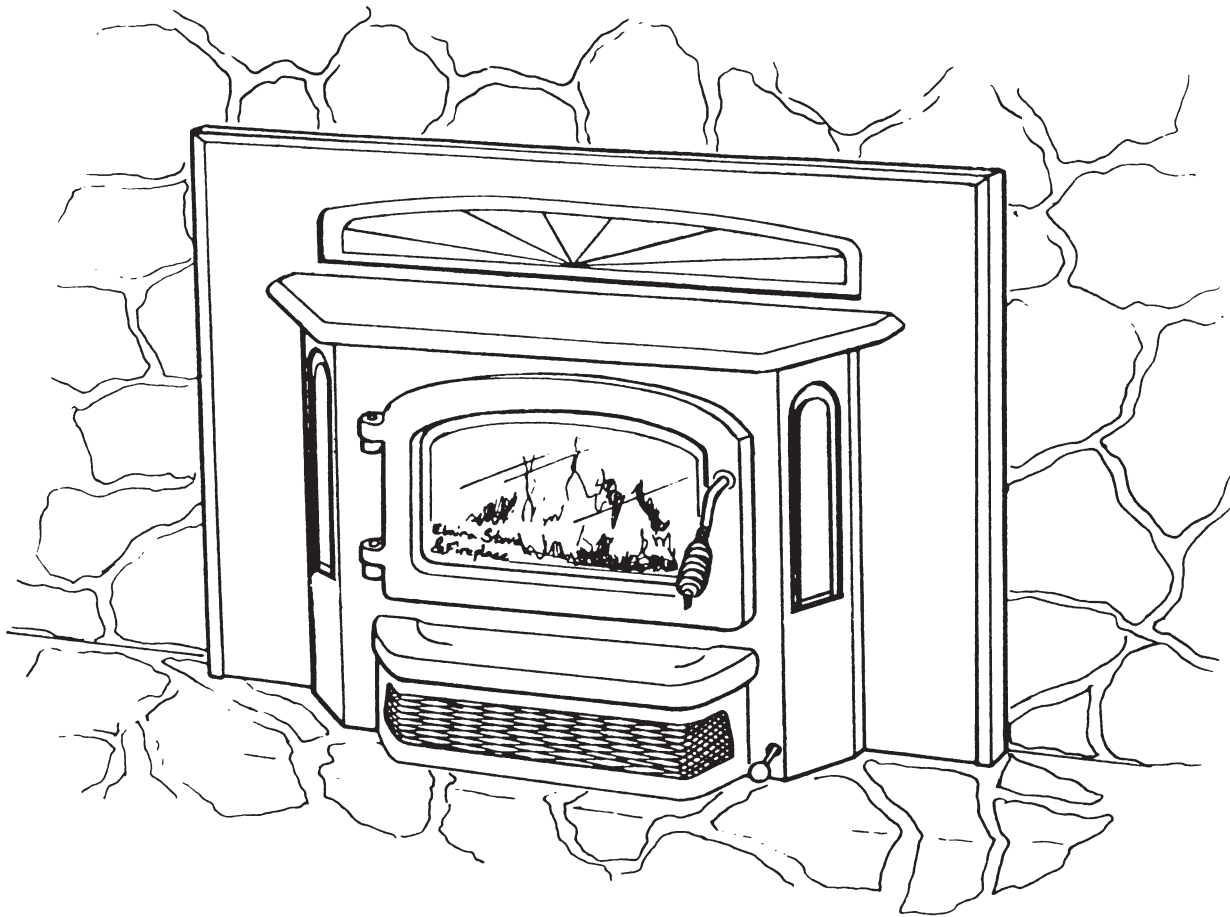
This Fireplace Insert is Tested to the Applicable U.S. & Canadian Insert Standards.



Note: Warnock Hersey  
I.C.B.O. NRB #219

# Elmira Stove & Fireplace

## INSTALLATION AND OPERATION INSTRUCTIONS FOR THE FIREVIEW MODEL 2700 HI-TECH INSERT

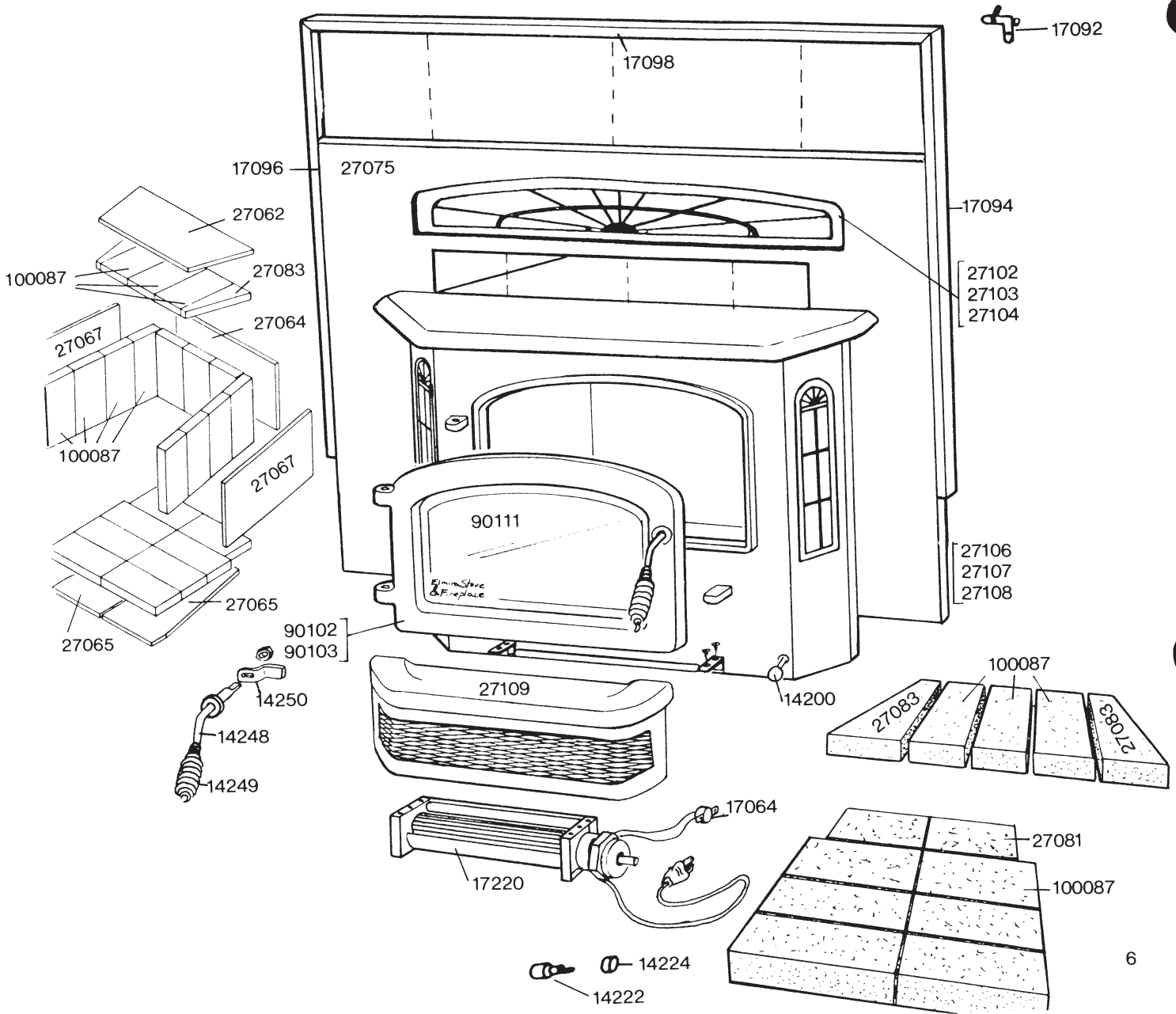


### GENERAL INFORMATION

**“SAFETY NOTICE:** If this insert is not properly installed, a house fire may result. For your safety, follow the installation directions. Contact local building or fire officials about restrictions and installation inspection requirements in your area.”

**SAVE THESE INSTRUCTIONS  
FOR FUTURE REFERENCE.**

# PARTS CHART 2700 INSERT



## PART DESCRIPTION

- |       |                                |       |                                  |
|-------|--------------------------------|-------|----------------------------------|
| 10087 | — Brick 4½" x 9"               | 27062 | — Baffle Insulation Rear         |
| 14200 | — Damper Knob                  | 27063 | — Baffle Insulation Front        |
| 14222 | — Blower Switch Ext.           | 27064 | — Insulation - Back              |
| 14224 | — Switch Knob                  | 27065 | — Insulation ½ Bottom            |
| 14248 | — Handle c/w Nut               | 27067 | — Insulation Sides               |
| 14249 | — Spring Handle                | 27075 | — Face Plate                     |
| 14250 | — Door Latch                   | 27102 | — Decorative Arch Black          |
| 17064 | — Thermostat                   | 27103 | — Decorative Arch Brown          |
| 17067 | — Trim Frame Assembly Complete | 27104 | — Decorative Arch Gold           |
| 17092 | — Angle Bracket and Screws     | 27106 | — Window Decorations Black – PR. |
| 17094 | — Trim Ass'y Right Side        | 27107 | — Window Decorations Brown – PR. |
| 17096 | — Trim Ass'y Left Side         | 27108 | — Window Decorations Gold – PR.  |
| 17098 | — Trim Ass'y Top               | 27109 | — Ash Catch Assembly             |
| 17220 | — Blower with Switch           | 90102 | — Door frame – Black with liner  |
| 27081 | — Brick 4½" x 8" 2             | 90103 | — Door Frame – Gold with Liner   |
| 27083 | — Brick angled – 2             |       |                                  |
| 27009 | — Front Plate                  |       |                                  |
| 27012 | — Ash Lip Assembly             |       |                                  |

## INDEX

Parts Chart .....	1
Introduction .....	2
Installation .....	2
Chimney Lining .....	2
Baffle Removal .....	3
Faceplate Installation .....	3
Outside / Inside Combustion Air .....	3
Blower Operation .....	4
Servicing Thermostat .....	4
Stove Operation .....	4
Chimney Cleaning .....	5
Disposal of Ashes .....	5
Maintenance .....	5
Your Wood / Creosote .....	5
Warranty .....	6

## INTRODUCTION

### SAFETY

**CAUTION** – hot while in operation. Do not touch, keep children, clothing and furniture away. Contact may cause burns.

Install and use only in accordance with manufacturers installation and operating instructions.

Contact your local Building or Fire Officials about restrictions and installation in your area.

### CONTENTS INCLUDE

- A. Insert Body
- B. Faceplate
- C. Blower Switch Knob & Extension
- D. Levelling Bolts, 2 –  $\frac{3}{8}$ " x 2"
- E. Faceplate Nuts & Washers 4 –  $\frac{1}{4}$ "
- F. Can spray touch up paint
- G. Gold Faceplate trim package
- H. Fiberglass insulation for behind faceplate.

### UNPACKING

The Elmira Model 2700 is shipped in one carton. Inspect the carton for visible shipping damage. Report any damage to your carrier immediately. Cut the strap around the Insert and remove the cardboard box. The body is shipped with the door mounted. Remove the door and place it in a safe place to avoid scratching or breaking the glass during installation. Remove the contents from inside the firebox and place in a convenient location for installation.

### INSTALLATION

This Insert is intended for use only in masonry fireplaces constructed in accordance with all national and local building code standards. It is not to be installed in factory built or zero - clearance fireplaces.

The Model 2700 requires minimum fireplace dimensions of 20  $\frac{1}{2}$ " high, 25  $\frac{1}{2}$ " wide, and 18  $\frac{1}{2}$ " deep.

Do not remove bricks or mortar from the fireplace structure.

### FORMULA FOR EQUIVALENT HEARTH EXTENSION

Hearth extensions may be fabricated from noncombustible materials as long as the materials are at least  $\frac{1}{2}$  inch thick and have a thermal conductivity factor "K" of .043 or lower.

Units of K = BTU/ft<sup>2</sup>/hi/in. Example of determining the thickness of equivalent hearth extension materials: ("K" of the equivalent material) x 0.5 = 0.43 = thickness required.

The thermal conductivity of "K" of equivalent materials can usually be obtained from the manufacturer.

Example calculation for brick:  $0.43 \times 0.5 = 5.81$  in. of brick 0.43.

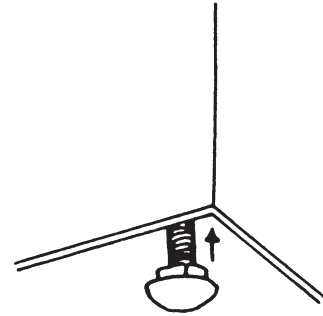
The thermal insulation layer must be covered by noncombustible material such as metal, tile, slate, marble stone, etc.

### PREPARING THE FIREPLACE

1. Clean out the inside of the fireplace (see maintenance instructions for handling of hot ashes).
2. Check to be sure the chimney and fireplace are clean and in good condition. Have a qualified mason repair any structural damage or deterioration before installing the unit. Mortar cracks in the fireplace or chimney can cause air leaks resulting in a smoke filled room.

3. Measure the drop between the fireplace floor and the fireplace hearth. If a drop exists thread the  $\frac{3}{8}$ " x 2" bolts into the bottom rear of the firebox, adjust the bolts to compensate for the drop. This procedure insures that the unit is installed level. If the fireplace floor and hearth are level, no levelling is required. (See Figure 1)

FIGURE 1



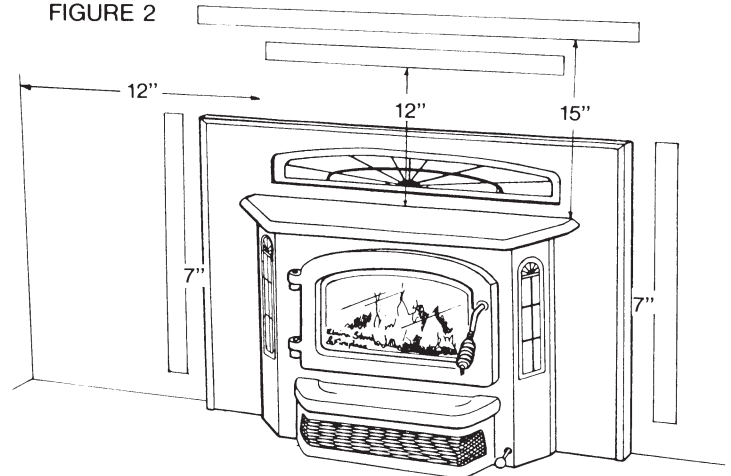
**IMPORTANT: REMOVE THE EXISTING FIREPLACE DAMPER OR LOCK IT IN THE OPEN POSITION.**

### INSTALLATION CLEARANCES

(See Figure 2)

- 12" minimum side wall clearance
- 12" minimum top wood trim clearance
- 7" minimum side wood trim clearance
- 15" minimum mantle clearance

FIGURE 2



Do not place combustible material (ie: drapes, furniture, bookshelves) within 36" to the front and 36" to the sides of the insert.

A non combustible hearth of 3" concrete or equivalent must extend 18" to the front and 8" to the side of the fireplace opening.

A  $\frac{3}{8}$ " piece of insulating millboard or equivalent must extend 8" to each side and 16" in front of the Hearth.

### FULL CHIMNEY LINING

We recommend that an approved full liner be installed from the insert to the top of the chimney. This will ensure adequate chimney draft. A full liner in most cases will help or eliminate down draft and will always reduce the build up of creosote in the chimney system.

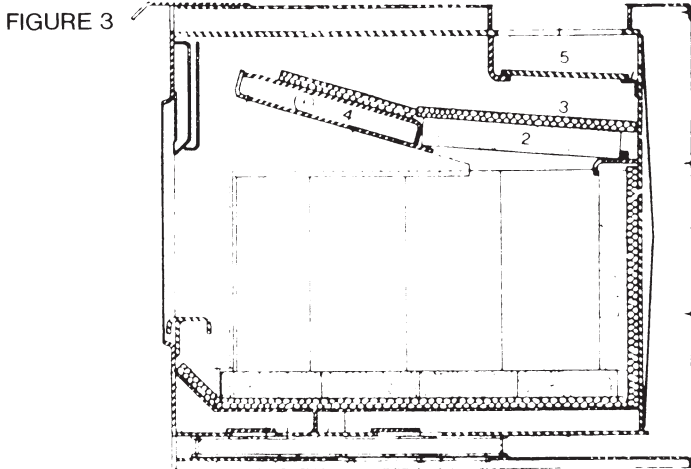
**NOTE:** If fireplace height is less than 24", you may need to remove baffle to install liner into unit. See instructions and figure 1 on this page.

## DIRECT FLUE CONNECTION

Although a full chimney liner is preferred, a direct flue connection may be used in newer chimneys with an 8" x 8" flue or less.

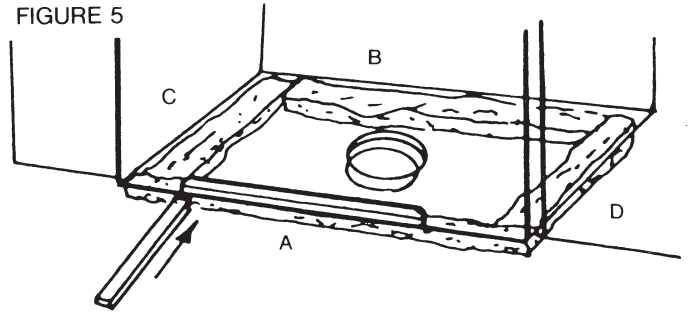
## BAFFLE INSTALLATION OR REMOVAL (FOR SERVICING OR CLEANING)

1. Remove the rear baffle bricks #2, from the unit. You will notice a layer of rigid insulation #3. This board will move over top of steel baffle #4, exposing the flue cover plate #5. (See figure 3).
2. This outlet baffle is positioned by a pin at the rear of the unit. By lifting the baffle from the rear, the pin will disengage, allowing for removal. Once completed, you now have direct access to the flue.
3. Reverse the steps to reinstall baffle. Care must be taken to ensure that the insulation board is pulled all the way back into position. (See figure 3).



**NOTE:** It may be easier to place insulation if the fan was first removed. See figure 5.

FIGURE 5



## IMPORTANT PRECAUTION

No insulation must obstruct front of Unit (location A) or cover any part of the round hole shown in figure 8, when using inside combustion air.

## OUTSIDE COMBUSTION AIR INSTALLATION

The most practical way of getting outside air to the insert is through the ash dump located on the fireplace floor of most fireplaces. Clean ash dump pit, then remove any doors or flaps that would restrict outside air from entering the fireplace.

After insert has been installed in fireplace, cut 4 strips of fiberglass insulation 1" x 2" x 18" long. Compress insulation against the inside perimeter of the insert and across the front. Pack insulation in place with a thin tool like a yardstick. See figure 5.

**NOTE:** Fan may be removed to make insulation placement easier.

## IMPORTANT PRECAUTION

Insulation must be packed inside the perimeter of 3 sides and front (A, B, C, & D), and must not cover any part of the round hole shown in figure 5 when using outside combustion air.

## FINAL ASSEMBLY INSTRUCTION

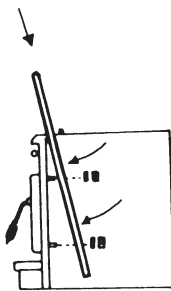
1. If marks have occurred during shipping or handling, now is a good time to retouch or repaint with the spray paint provided. Mask areas around stove and follow directions on spray can.
2. Install the ash catch fan assembly with the #10 sheet metal screw provided.
3. Push the blower control knob extension onto shaft. Then install blower knob onto extension.
4. Install the air intake control knob.
5. To install Gold coloured trim around faceplate, attach ends of trim together with the two angle brackets and screws provided. Mitred angles should fit tightly together. Remove the tape backing and place trim around faceplate. Apply even pressure on trim to bond to faceplate. (See figure 6).
6. Reinstall the door.

## FACEPLATE INSTALLATION

Slide the faceplate down over the firebox being sure the holes in the faceplate line up with the studs on the front. Be sure the faceplate slides in behind the retaining block on the top of the firebox. The faceplate may need to be tilted back to line up. Finger tighten the 1/4" nuts with washers onto the studs. Check to be sure the plate is straight – then tighten all four bolts. (See figure 4).

**IMPORTANT:** the fiberglass insulation should always be packed between #27075 faceplate and fireplace front to prevent cold air from entering the room. If more insulation is required, purchase pink fiberglass with no paper backing.

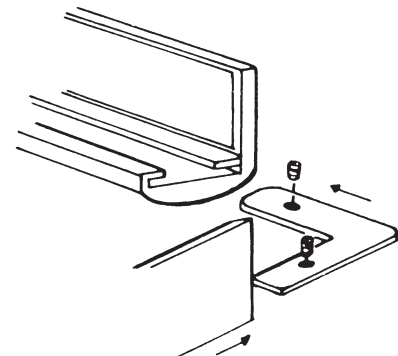
FIGURE 4



## INSIDE COMBUSTION AIR INSTALLATION

1. When using inside combustion air, note – air must enter the combustion chamber through the slot in front of the insert, just above the fireplace floor.
2. Cut 3 strips of fiberglass insulation 1" thick, 2" wide and 18" long. Compress insulation against the inside perimeter C, B and D, using a thin tool like a yardstick.

FIGURE 6





## BLOWER OPERATION

Your 2700 Insert is equipped with a three speed blower (Hi-Med-Low). The center position (Medium) is automatic and will only activate after the unit is hot. When first firing your insert, turn the switch to medium (center). The blower will activate automatically on medium after 30 to 45 minutes on high fire and shut off after the fire has died down. Set blower to low on low fire, medium on medium fire, high on high fire. The blower is located under the door and is protected by the ash lip. Before removing ash lip to service blower be sure the blower cord is unplugged and the fan blade has stopped moving.

## SERVICING THE THERMOSTAT

The thermostat may be serviced or replaced through an access panel on the right hand side of the firebox. Be sure to unplug the blower cord before servicing. To access the thermostat, first remove baffle bricks. See figure 3. Reach into the firebox and slide up the chimney liner. Pull the unit out so the right hand side is exposed 8" on the Hearth. Undo screws to remove the panel. The thermostat can then be removed to service. Test the disc by applying heat (a lit match) against the flat side of the disc. You will hear a click after a few seconds if the disc is working and a click again about one minute after the heat has been removed. If you do not hear the click see your dealer for a replacement thermostat. Be sure the wire terminals are securely connected when put back into place. Replace the faceplate and push the unit back against the fireplace face. Reach into the firebox and pull the chimney liner into place. Replace baffle bricks.

**NOTE:** to have blower shut off automatically, set switch to medium.

Plug the power cord into a 110 volt receptacle ONLY. Make sure there is power at the receptacle.

## IMPORTANT PRECAUTIONS

Do not store combustible materials within 48" of the insert. Operate with the door closed only.

**CAUTION:** The Model 2700 is designed to burn wood only. DO NOT burn coal. Open doors slowly to allow wood gasses to escape up the chimney. DO NOT burn garbage. Never use gasoline, lantern fuel, kerosene, engine oil, charcoal lighter fluid or similar fluids to start or freshen up a fire. Keep all such liquids well away while in use.

**DO NOT** burn salt water drift wood as it will corrode the heater. For your protection, install a smoke alarm near your insert.

If your house is well insulated and a furnace fan is running, smoke from the stove may be drawn into the room. Open a window or door slightly to solve this problem.

**CAUTION:** NEVER start a fire with volatile liquids such as gasoline or lighter fluid. Never leave aerosol containers or any flammable liquids on the cooking surface or near the fireplace.

## STOVE OPERATION

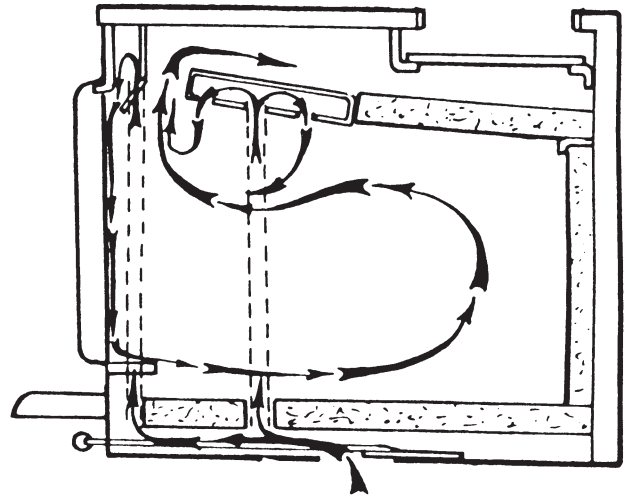
**\*Important** - Carefully read and understand this section before starting a fire. Call your dealer if you have any questions.

**NOTE:** Build small fires at first to allow the paint and firebrick to cure. An odour may be noticed during the curing process but will disappear quickly.

### Air Intake Control and Glasswash

Open the combustion air control by sliding the control knob, located below the ash catch, fully to the front. This allows the maximum amount of air into the combustion chamber. As the air control knob is pushed to the rear, less air is allowed into the firebox and the fire will burn slower. (See figure 7).

FIGURE 7



Proper use of the damper controls only comes with experience. Weather conditions and wood type will affect the stove operation dramatically.

**NOTE:** When the air combustion control is fully opened, air sweeps down across the glass creating a wash of air and blocks smoke from clouding it. As the air control is closed, less air washes the glass and the glass may become smokey. (See figure 7).

### Operating Tips

To assist in the start up of a cold insert, place 3 or 4 large pieces of kindling (oriented from front to back in the firebox) up on the front ledge. This will allow combustion air to flow freely through the fuel and prevent the kindling from collapsing.

When loading fuel, open the door slowly. Backpuffing will result if door is opened too quickly.

**NOTE:** If the fire smokes when first lit it may be because of a downdraft or cold air in the chimney. It will be necessary to force the heavy cold air back up the chimney. Light a torch of rolled newspaper and hold inside the firebox in the baffle outlet. This should eliminate the downdraft.

See section on chimney tips if the downdraft continues.

### CONTROL OF FIRE

If the combustion air intake control has little effect on controlling the fire, probably the reason for it is the chimney has excess draft. (Normal chimney draft should be about .08" water column).

Continuous stove operation with excessive draft (chimney draft above -15") may result in warpage to the firebox and could void warranty.

See your dealer for chimney draft remedies.

### Firing Your Insert

Build fire directly on the insert floor. Do not elevate the fire on grates or irons.

1. Open the combustion air control as previously outlined, by pulling the knob fully to the front (See figure 5).
2. Crumple about six sheets of newspaper on the brick base, cover with kindling and light. The fire will burn brightly. You will notice the fire dies down if the air intake is closed (pushed to the rear). Try closing the control to observe how the fire dies down but be sure to open it to maintain the start up fire.

3. As the kindling burns, add larger pieces of wood until the fire is established well enough to add logs. If the fire does not burn brightly, open the door a crack to allow more air into the firebox. Close door after fire has been established.

**NOTE:** The stove and chimney must first be brought up to temperature before a good chimney draft is established. This warming up could take from 1 to 1½ hours at high firing.

4. Adjust the air intake control for the desired rate of burn.

Also see insert operation on this page.

### Chimney Cleaning

A dirty chimney will result in sluggish performance, a smoking insert and possibly a chimney fire.

Check your chimney regularly for creosote formation and clean as necessary. It is sound practice to consult a reputable chimney sweep and establish a regular maintenance schedule.

### Disposal of Ashes

Dispose of ashes by removing with a shovel from the insert and set on a non combustible surface. Dispose of ashes into a metal container and cover with a lid. Always store metal ash container on a non combustible surface away from combustible materials pending final disposal.

### Glass Maintenance

This insert is equipped with Corning Pyro Ceram 5 mm glass which can only be broken by impact or misuse.

Do not slam door or impact the glass. When closing door make sure the logs or other objects do not protrude against the glass.

Never attempt to clean the glass while hot. Clean glass with a non abrasive glass cleaner available from your dealer. Abrasive cleaners may scratch and cause glass to crack.

Inspect the glass regularly. If you detect a crack or break, extinguish fire immediately and return door to your dealer for a glass replacement before further use.

Do not use substitute materials for glass replacement. Keep fires away from the glass.

### STOVE MAINTENANCE

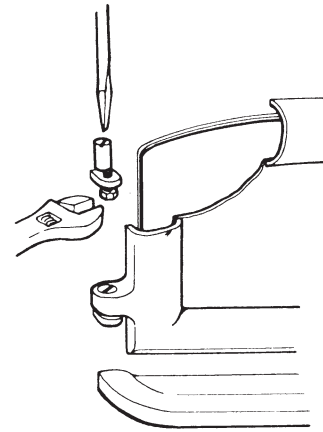
Check the door gaskets periodically for proper seal. Worn gaskets can cause air leakage into the stove resulting in lost efficiency or wasted fuel. One half inch door seal material or window gasketing can be purchased from your local wood stove dealer or Elmira Stove Works.

To renew the finish on your insert, we recommend the use of Elmira or Thermolux Hi heat aerosol paint available from your dealer. Before painting, rough up the paint with either fine steel wool or sandpaper. Follow painting directions on the side of the paint can. DO NOT paint stove when hot.

### Door Adjustment

In case the door may require adjustment, you may loosen the nuts on the hinge pins and adjust to the desired fit with a slot screwdriver. Retighten nuts. (See figure 8).

FIGURE 8



### CARE OF THE GOLD PLATED DOOR

The optional gold plated door, under normal use will not tarnish. Clean door with windex type liquid glass cleaner and a soft cloth. Do not use polishes or cleaners that contain abrasive agents to clean gold doors as they will mar or scratch the finish.

### YOUR WOOD

Wet unseasoned wood will give you more headaches than warmth. Green wood has too preferably longer. Dry and well seasoned wood will not only minimize the chance of creosote formation but will give you the most efficient fire. Even dry wood contains at least 20 percent moisture by weight, and should be burned hot enough to keep the chimney hot for as long as it takes to dry it out – about one hour. It is a waste of energy to burn unseasoned wood of any kind.

Dead wood lying on the forest floor should be considered wet and requires full seasoning time. Standing wood can be considered to be about ¾ seasoned. To tell if wood is dry enough to burn, check the ends of the logs. If there are cracks radiating in all directions from the center, it's dry. Also, bark separation is a good indication. In addition, pick several small to medium sized pieces and rap them together. If they are dry, they will sound loud and clear – like a baseball bat. A dull thud means they are still wet. If your wood sizzles in the fire, even though the surface is dry, it may not be fully cured. Splitting of wood before it is stored reduces drying time. Wood should be stacked so that both ends of each piece are exposed to air if space is available, since more drying occurs through the cut ends than through the sides. This is true even with wood that has been split. Cover your wood pile with a tarp, plastic, tarpaper, sheets of scrap plywood, etc. Do not extend any cover down the sides or it will trap in moisture. Use smaller limbs or old shipping pallets to stack your wood on. This allows air to circulate under the stack and prevent your wood from contacting the ground.

### CREOSOTE – Formation and Need for Removal

When wood is burned slowly, it produces tar, and other organic matter which combine with expelled moisture to form creosote. The creosote vapors condense in the relatively cool chimney flue of a slow burning fire. As a result, creosote residue accumulates on the flue lining. As time passes, the thickness of the creosote increases and the opening through the flue decreases. This interferes with the draft through the chimney and eventually could lead to a chimney fire. A slow burning or smoldering fire should not be maintained for any extended period of time. It is far better to prevent accumulation of creosote by periodically maintaining

a briskly burning fire. This can be done with each new load of wood or on a once a day basis. The use of a good chemical chimney cleaner scan also helps reduce the accumulation of creosote. It is usually the continuous burning of a smoldering fire that leads to the accumulation of creosote, resulting in a chimney fire. Creosote usually ignites by exploding. The quick, hot fire,

roaring sound may be produced and sparks will fly from the chimney. A chimney fire can be dangerous because sparks can land on the house roof and start a fire or heat can penetrate through the chimney to surrounding combustibles.

It is a sound policy to have your chimney inspected and/or cleaned on a regular basis by a reputable chimney sweep.

## WARRANTY

MODEL \_\_\_\_\_

SERIAL \_\_\_\_\_

YOUR NEW ELMIRA MODEL 2700 INSERT is covered by a prorated five year warranty against defects in materials and workmanship. The warranty does not cover glass, paint, gaskets, or plated surfaces.

The blower system is warranted for one year. Accident, abuse, misuse or shipping damages are excluded from this warranty. If any part of the stove becomes defective during the period of this warranty send parts or stove, freight prepaid, to the address on cover for repair or replacement.

## TO VALIDATE WARRANTY

Please return warranty card within ten days of purchase. Your registration allows us to provide you with up-to-date information as it becomes available.

