

INTRODUCING THE  
**FIREVIEW**  
 WOOD COOKSTOVE



by  
**Elmira**  
**Stove** For true originals  
**Works**



*The latest advance in the way things used to be...*

The Fireview is a high-efficiency, air-tight wood-burning cookstove that is perfect for your home, cottage or camp. It serves as a high-output room heater, cooking appliance, attractive fire-viewing stove and, with the optional water jacket, a source of hot water – all using a renewable energy source. For even more cooking versatility, add the optional propane side burners.

*Fireview wood-burning cookstoves... efficiency and styling you can really warm up to!*

48" Model 1842-G Dual Fuel (wood/propane)

**Features**

- Big 1.6 cu. Ft. firebox – 30-60,000 BTU output
- Secondary air for clean, efficient burn
- Spacious 3.0 cu. Ft. oven – fits a large turkey
- Fireview door for enjoyment and fire control

**Options**

- 11,000 BTU propane side burners
- Heat shield reduces clearances to combustibles
- Nickel trivet, legs and skirts
- Water jacket in firebox for hot household water



36" Model 1840 (wood-burning)  
 with optional Nickel Victorian Trivet,  
 Nickel Front Legs and Nickel Front Skirt

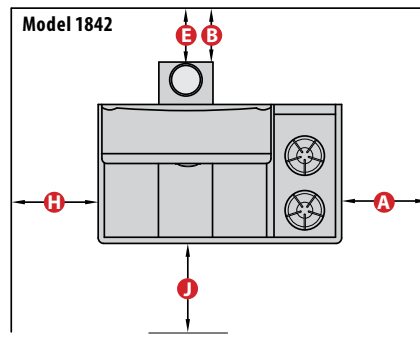
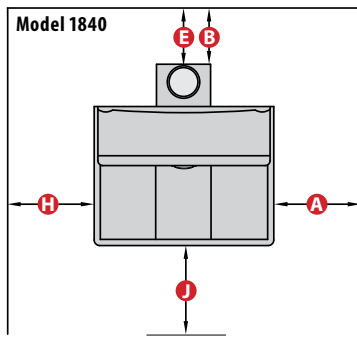


48" Model 1842-0 (wood-burning)  
 with no options

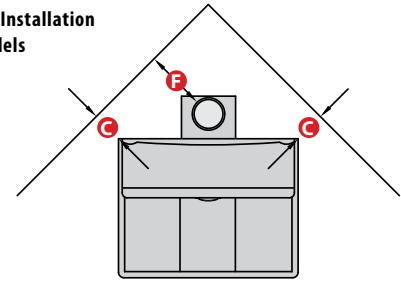


48" Model 1842-G Dual Fuel (wood/gas)  
 with optional Nickel Victorian Trivet  
 and Nickel front legs.

## FIREVIEW CLEARANCES AND SPECIFICATIONS



**Corner Installation  
All Models**



| Model 1840              | A   | B   | C   | E   | F   | G    | H   | J    | Measure |
|-------------------------|-----|-----|-----|-----|-----|------|-----|------|---------|
| <b>No Heat Shield</b>   | 10  | 18  | 13  | 18  | 18  | 60   | 18  | 48   | inches  |
| Using Single Wall Pipe  | 254 | 457 | 330 | 457 | 457 | 1524 | 457 | 1219 | mm.     |
| <b>With Heat Shield</b> | 10  | 3   | 10  | 6   | 6   | 60   | 18  | 48   | inches  |
| Using Double Wall Pipe  | 254 | 76  | 254 | 152 | 152 | 1524 | 457 | 1219 | mm.     |

| Model 1842              | A  | B   | C   | E   | F   | G    | H   | J    | Measure |
|-------------------------|----|-----|-----|-----|-----|------|-----|------|---------|
| <b>No Heat Shield</b>   | 3  | 18  | 13  | 18  | 18  | 60   | 18  | 48   | inches  |
| Using Single Wall Pipe  | 76 | 457 | 330 | 457 | 457 | 1524 | 457 | 1219 | mm.     |
| <b>With Heat Shield</b> | 3  | 3   | 10  | 6   | 6   | 60   | 18  | 48   | inches  |
| Using Double Wall Pipe  | 76 | 76  | 254 | 152 | 152 | 1524 | 457 | 1219 | mm.     |

**G = vertical distance from cooking surface to combustibles above the stove.**

**Note:** A certified double-wall stove pipe must be used to maintain 6" clearance (dimension E) from pipe to combustibles. The approved stove pipe must extend from the chimney connector to the stove.

**Note:** These are factory-recommended clearances. Local, state or provincial building and fire codes take precedence and must be observed. Clearances are subject to change without notice.

When heat shield is installed, **dimensions B and F** are taken from heat shield. ("Heat shield" refers to complete stove/-pipe shield kit.) **Dimension E** is taken from outside edge of pipe.

|  | 1840          | 1842-0                     | 1842-G        |
|--|---------------|----------------------------|---------------|
| <b>OVERALL DIMENSIONS</b>                                      |               |                            |               |
| Width  | 35 3/4"       | 49 1/2"                    | 49 1/2"       |
| Height   | 67 1/4"       | 67 1/4"                    | 67 1/4"       |
| Height to Cooking Surface                                      | 35"           | 35"                        | 35"           |
| Depth including Flue Boot                                      | 36 5/8"       | 36 5/8"                    | 36 5/8"       |
| Depth without Flue Boot or Doors (door clearance for delivery) | 28 1/2"       | 28 1/2"                    | 28 1/2"       |
| Assembled Weight / Shipping Weight (with skid)                 | 428 / 454 lb. | 450 / 485 lb.              | 465 / 500 lb. |
| Carry Weight (no doors, plates, brick, grate, cabinet, etc.)   | 145 lb.       | 160 lb.                    | 165 lb.       |
| <b>OVEN DIMENSIONS</b>   |               |                            |               |
| Capacity   |               | 3.0 cu. ft.                |               |
| Width  |               | 18 1/4"                    |               |
| Height   |               | 11 1/2"                    |               |
| Depth  |               | 24 3/8"                    |               |
| <b>FIREBOX</b>   |               |                            |               |
| <b>Flue Size</b>   |               | <b>6"</b>                  |               |
| Capacity   |               | 1.6 cu. ft.                |               |
| Width  |               | 9 1/4"                     |               |
| Height   |               | 13 1/2"                    |               |
| Depth  |               | 22"                        |               |
| Ideal Log Length   |               | 16" to 18"                 |               |
| Secondary Air  |               | YES                        |               |
| Heat Output  |               | 30,000 to 60,000 BTU / Hr. |               |
| Approximate Area Heated  |               | 800-1800 sq. ft.*          |               |
| <b>OTHER FEATURES AND OPTIONS</b>                              |               |                            |               |
| Sealed Gas Burners, 11,000 BTU Liquid Propane                  | N/A           | N/A                        | 2             |
| Auto-Ignition for Gas Burners (9V Battery Powered)             | N/A           | N/A                        | YES           |
| Overhead Warmer  | Standard      | Standard                   | Standard      |
| Side Warmer  | N/A           | Standard                   | Standard      |
| Fireview Door  |               | Standard                   |               |
| Colors Available   |               | Black                      |               |
| Nickel Door Frames   |               | Standard                   |               |
| Nickel Victorian Trivet  |               | Optional                   |               |
| Nickel Front Legs  |               | Optional                   |               |
| Nickel Front Skirt   |               | Optional                   |               |
| Nickel Side Skirts   |               | Optional                   |               |
| Water Jacket (side - 10 gallons/hr or rear - 5 gallons/hr)     |               | Optional                   |               |
| Heat Shield Kit  |               | Optional                   |               |

\*figures may vary with individual conditions

### Elmira Stove Works

285 Union Street, Elmira, Ontario, Canada N3B 3P1  
 (519) 669-1281, Fax: (519) 669-1774, Toll Free: (800) 295-8498  
 www.ElmiraStoveWorks.com